

Symbol foto
201801



SANOTECHNIK
Handelsgesellschaft m.b.H.
Industriestraße 5
A-2752 Wöllersdorf
Tel.: +43 2622 / 421 93 0
Fax: +43 2622 / 421 93 6
office@sanotechnik.at
www.sanotechnik.com



SANOTECHNIK Hungária Kft.
MAGYARORSZÁG
Nagytétényi út 112
H-1222 BUDAPEST
Tel.: (+36 1) 424 06 70
Fax: (+36 1) 424 06 79
info@sanotechnik.hu
www.sanotechnik.com



SC Sanotechnik COM Rumänien S.R.L
ROMANIA
Tancabesti, DN 1, KM 26,5
Com. Snagov, jud. Ilfov
Tel.: +40 21 350 13 43
Fax: +40 21 350 13 44
office@sanotechnik.ro
www.sanotechnik.com

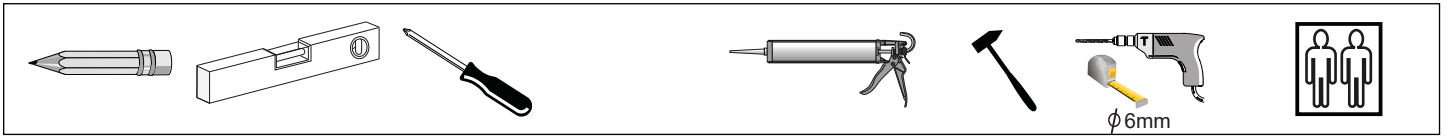


SANOTECHNIK d.o.o.
SLOVENIJA
Stritarjevca ulica 24
SI-2000 MARIBOR
Tel. +3862/4213350
Fax +3862/4213358
info@sanotechnik.si
www.sanotechnik.com

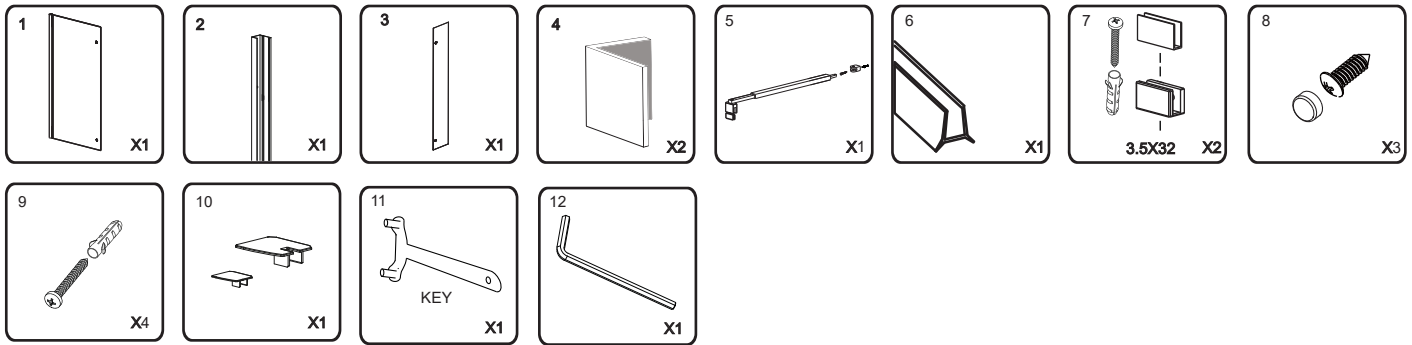


Sanotechnik Bulgaria Ltd.
BULGARIA
3, Georgi Benev St.
BG-4003 Plovdiv
Tel: +359 32 961101
Fax: +359 32 961102
office@sanotechnik.bg
www.sanotechnik.com

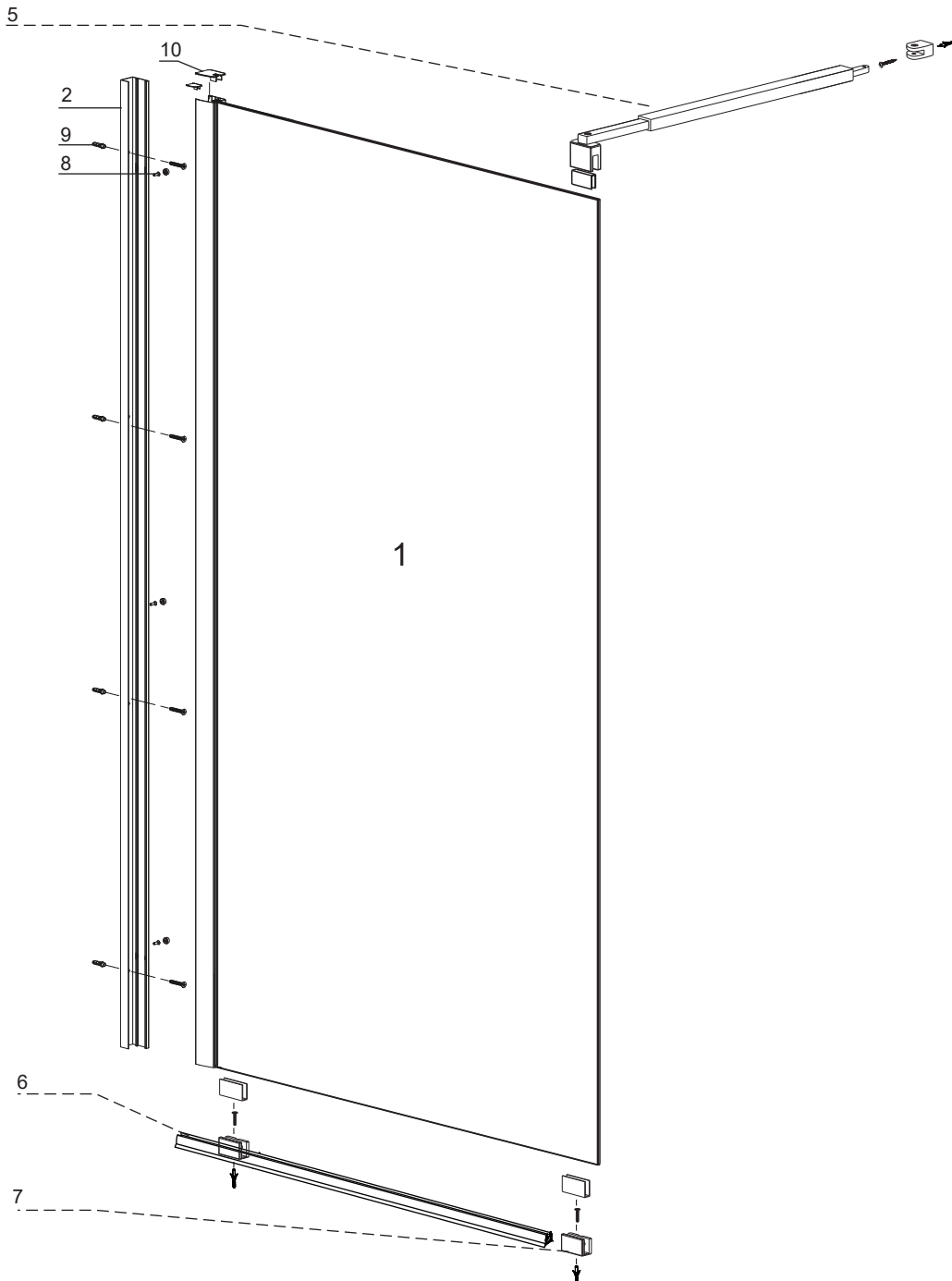
SANOTECHNIK®
INTERNATIONAL

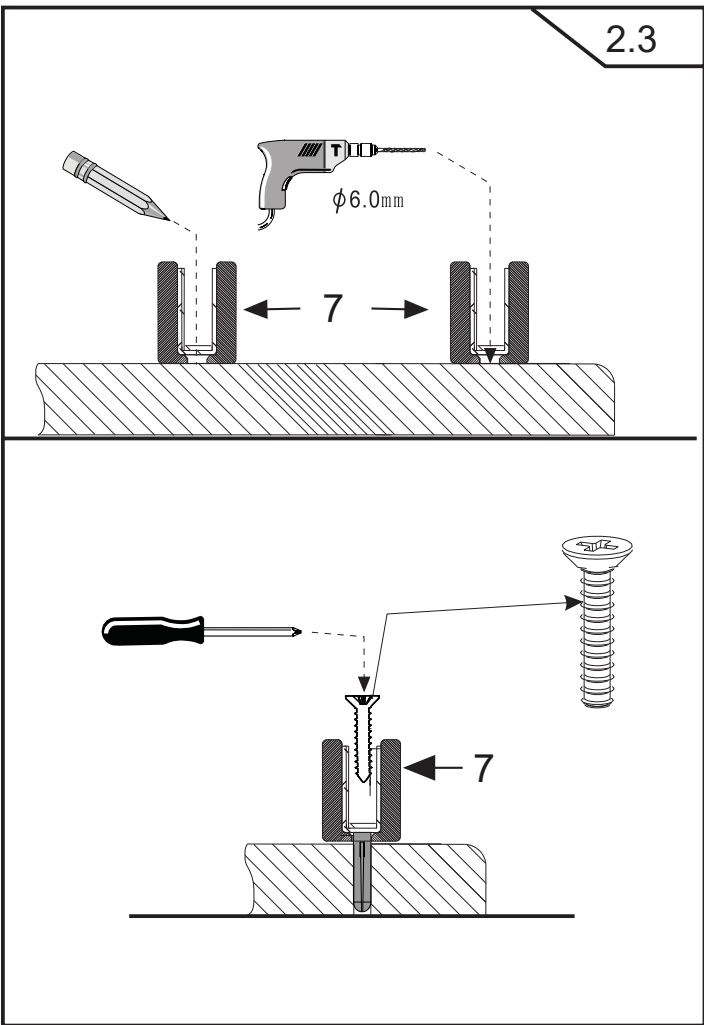
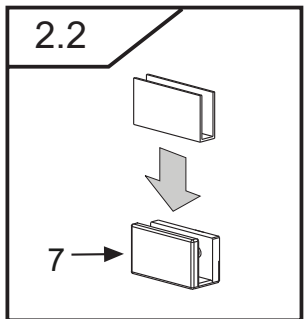
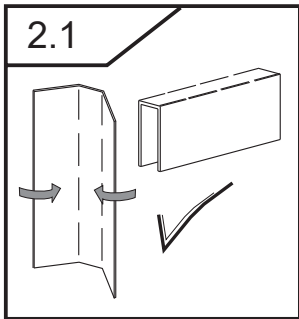
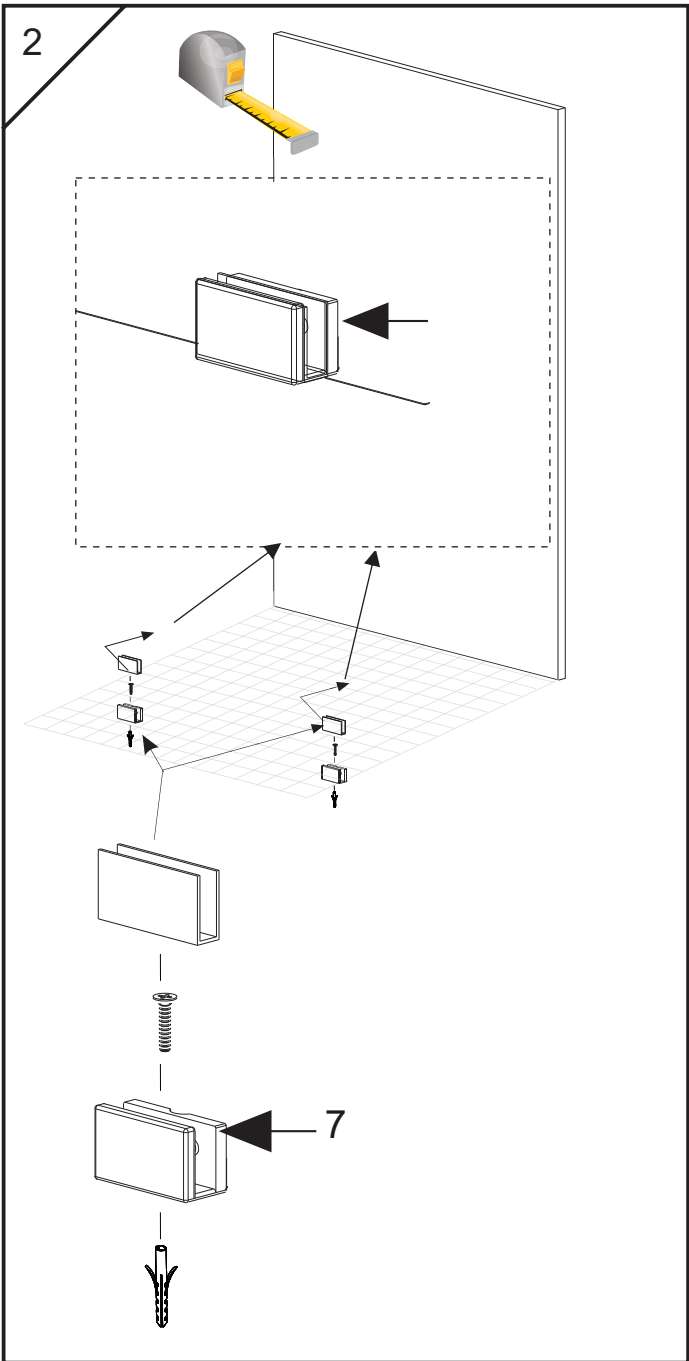
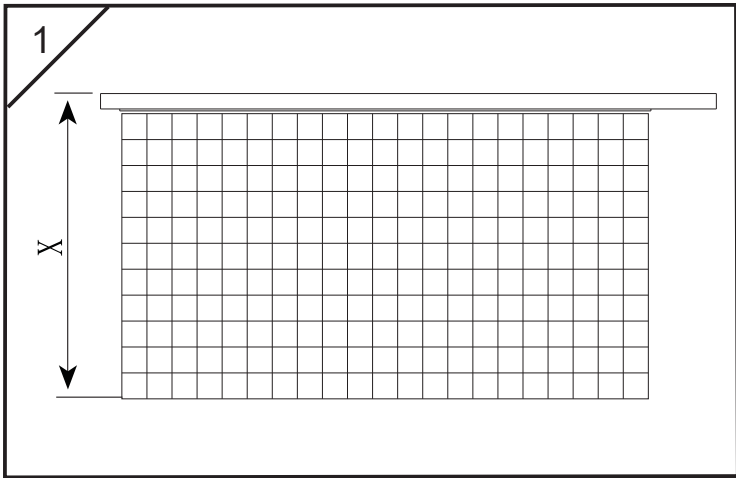
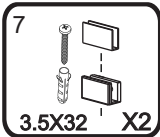
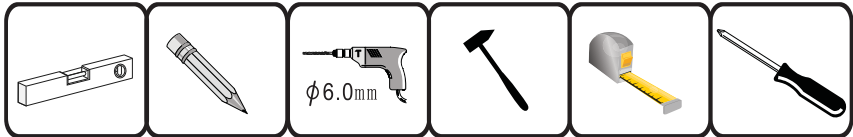


◆ Box Contents

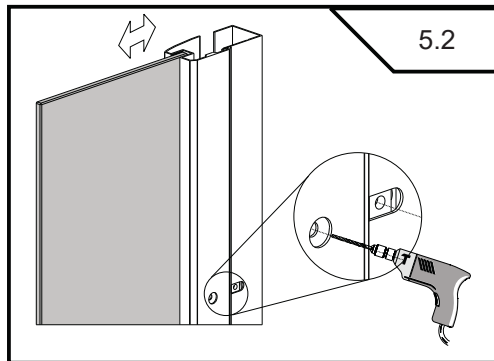
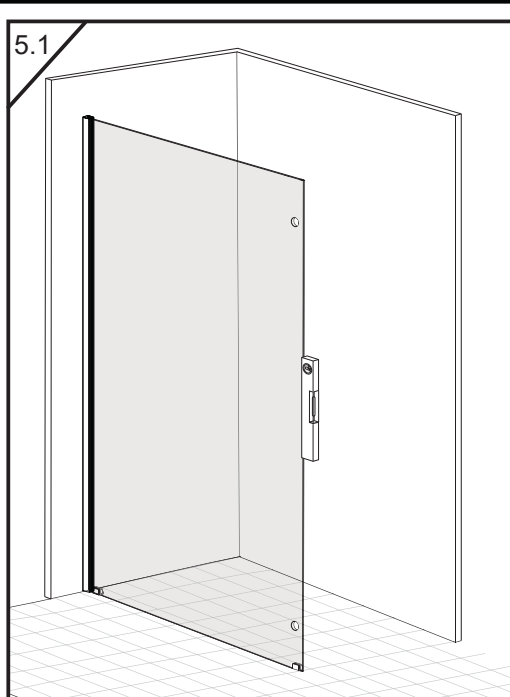
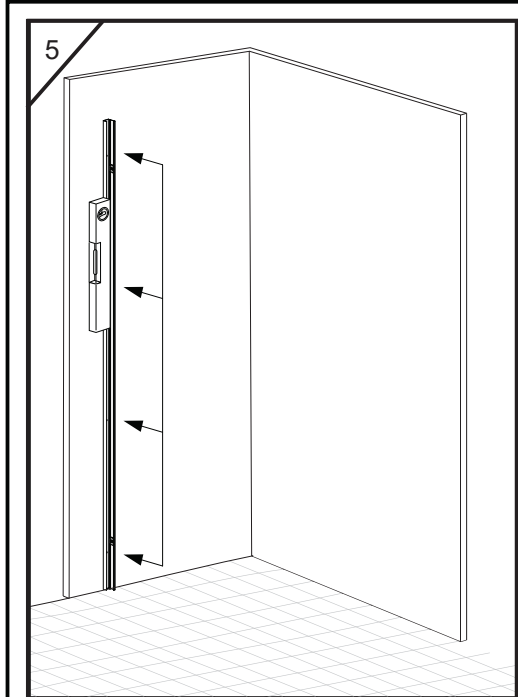
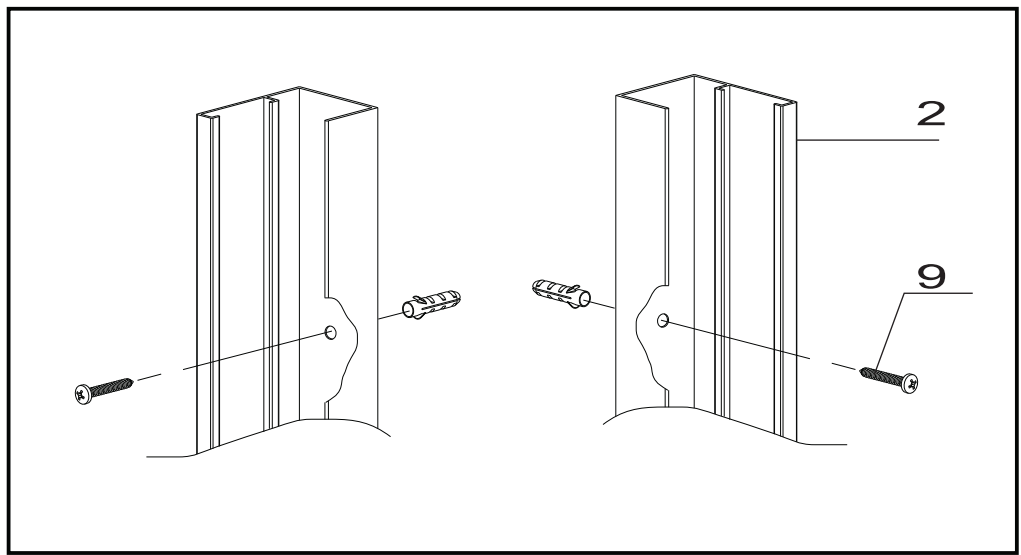
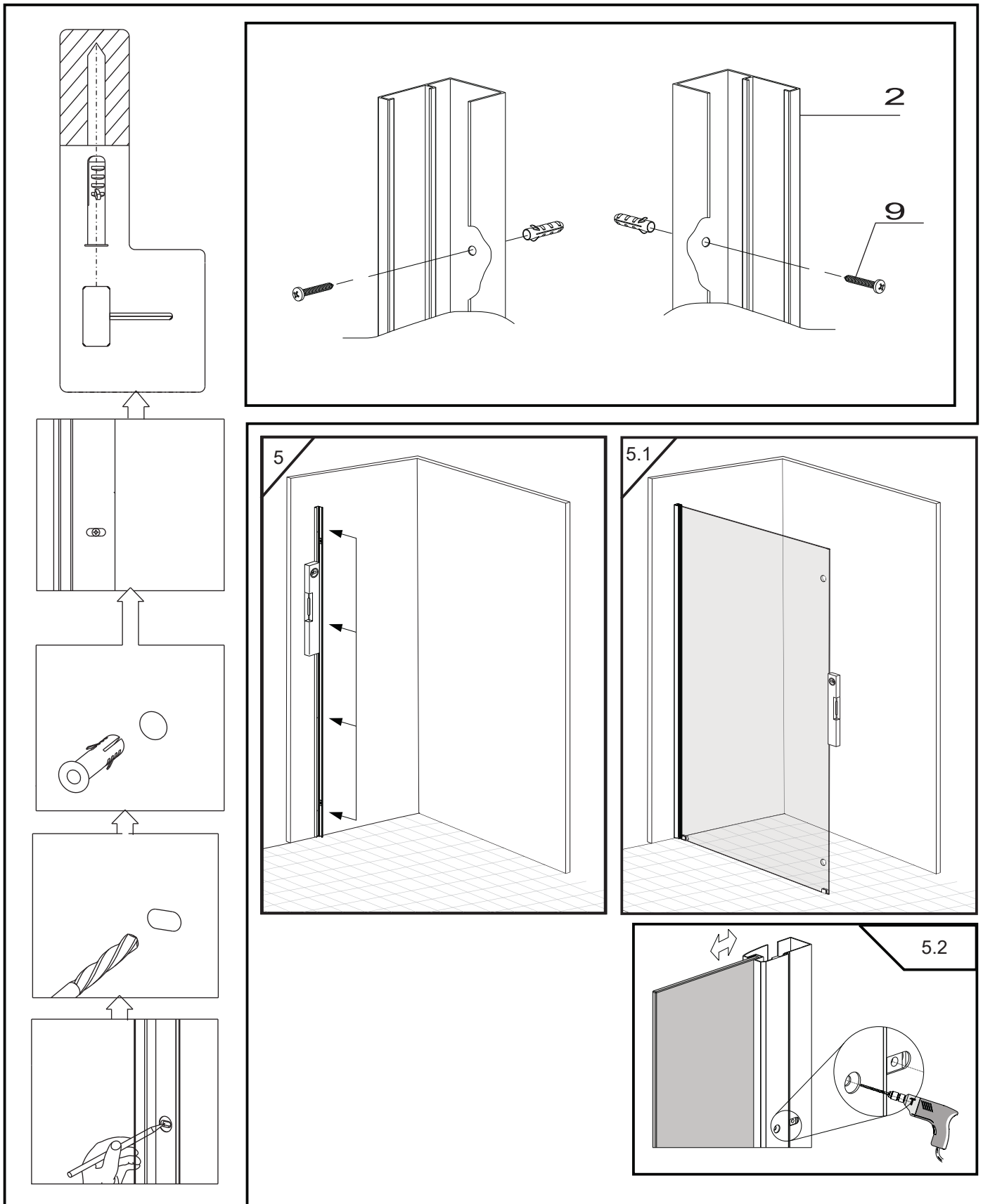
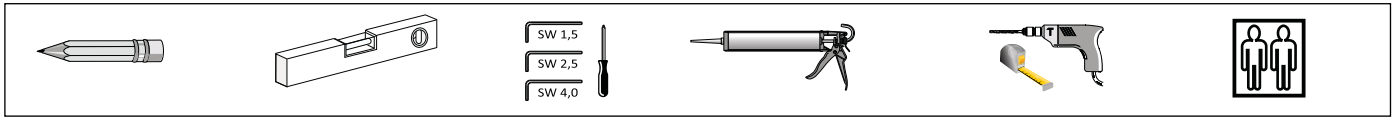


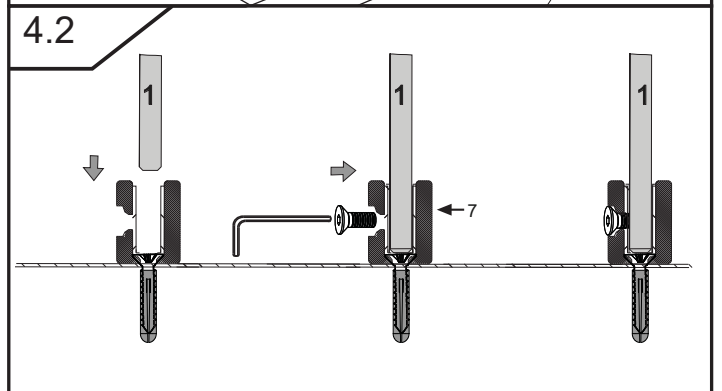
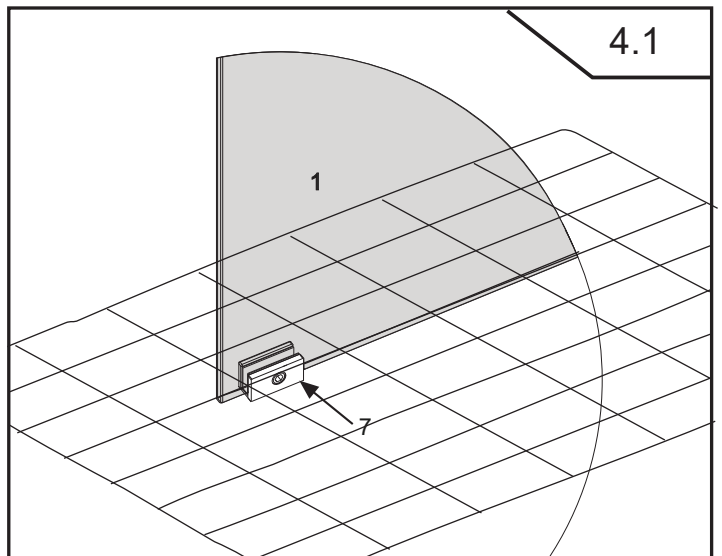
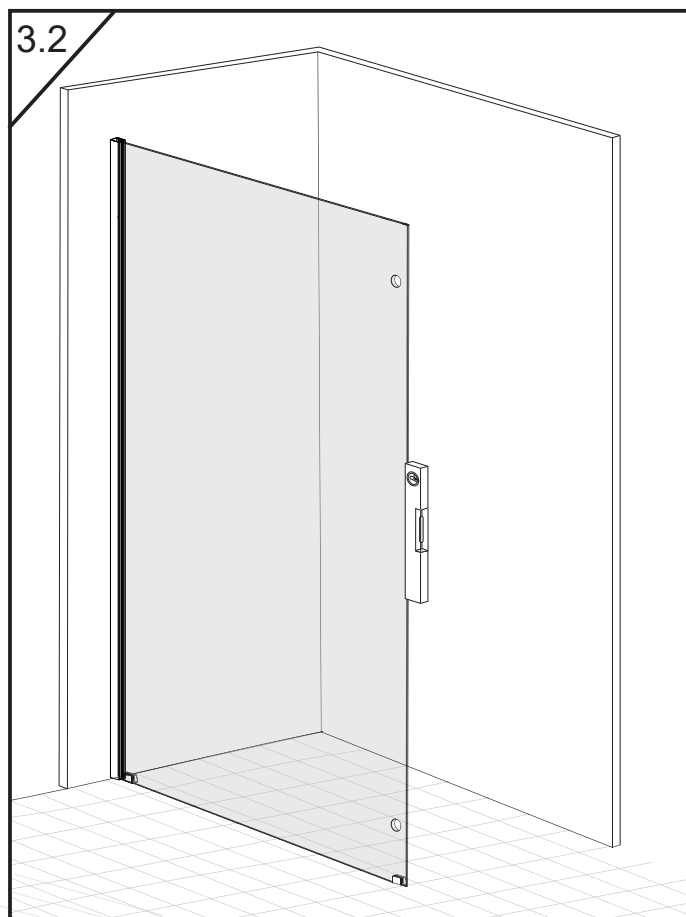
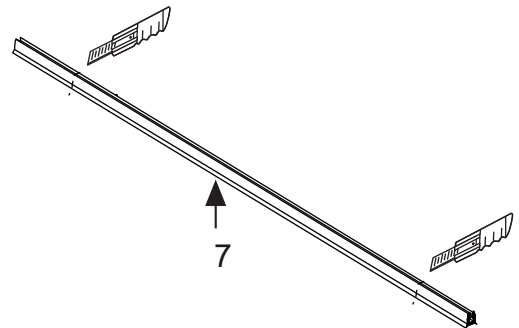
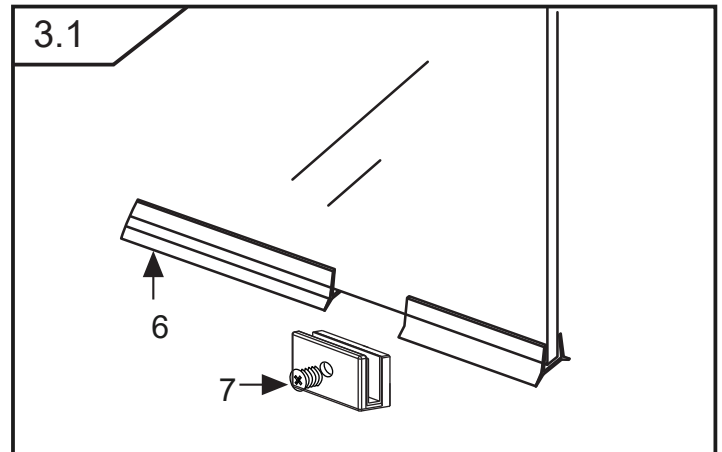
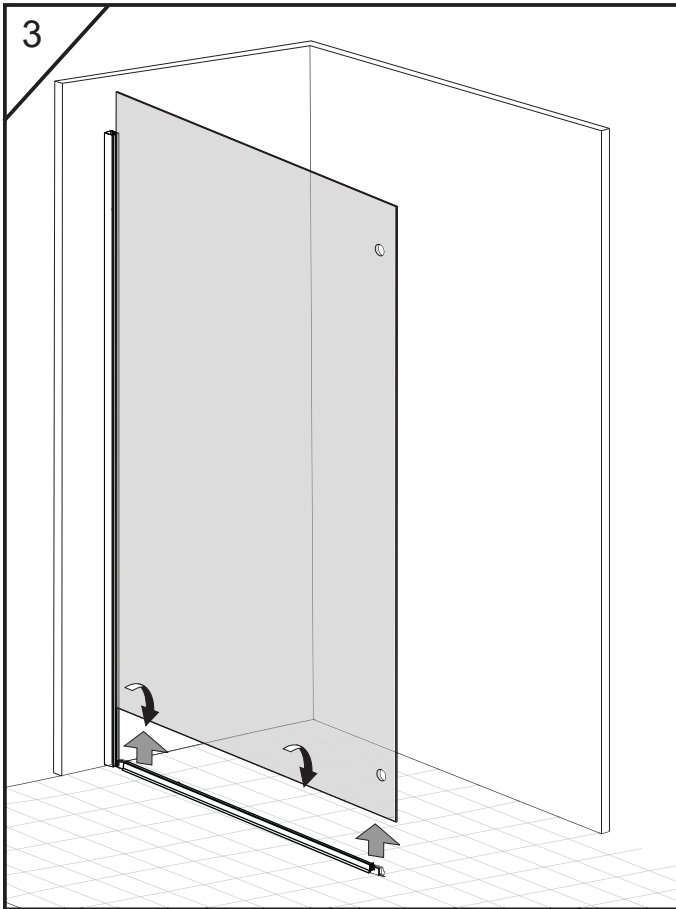
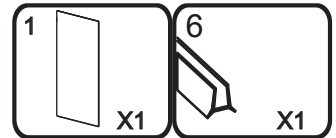
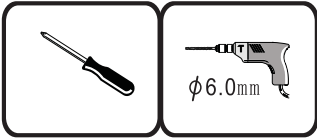
◆ Assembly Drawing

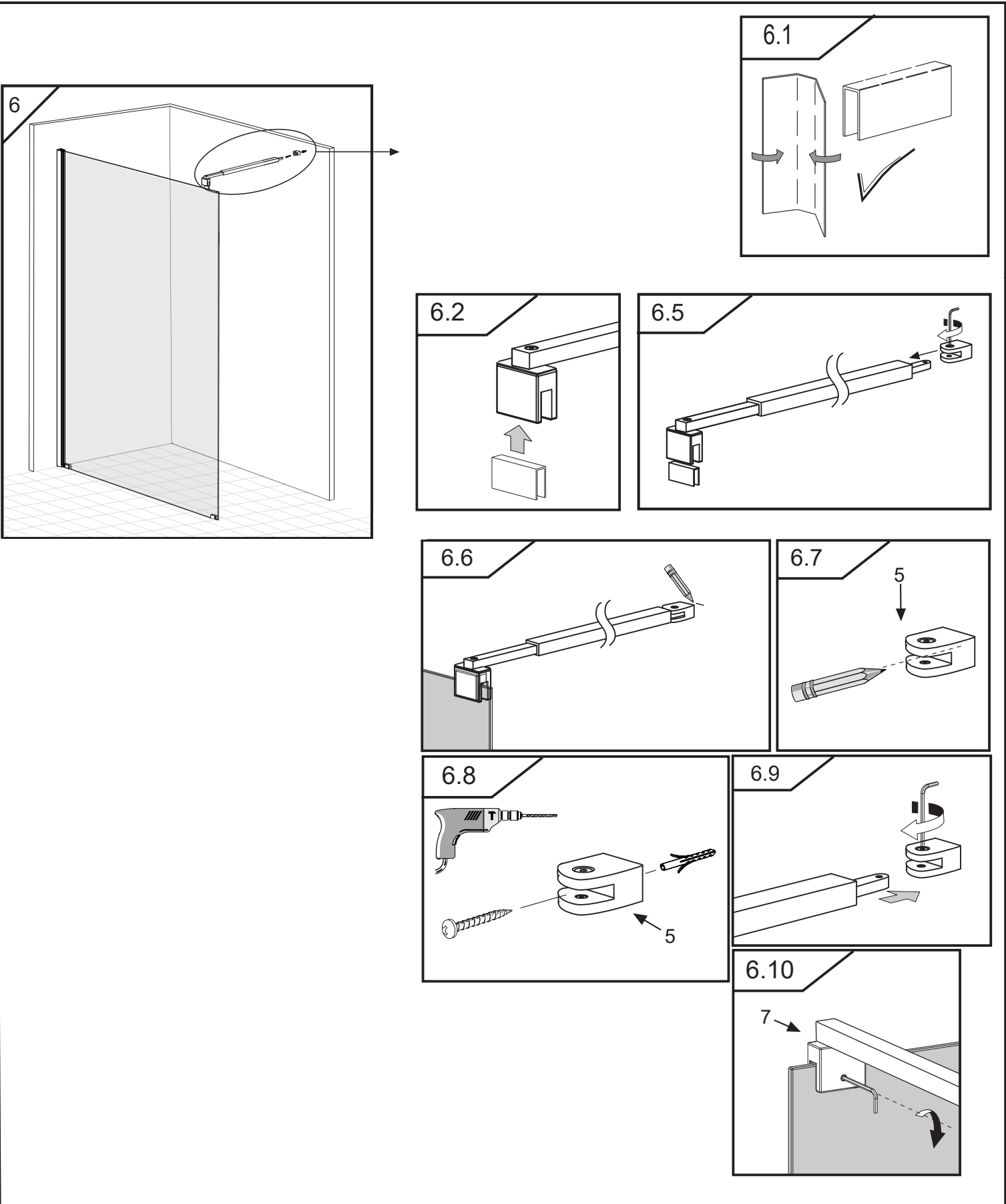
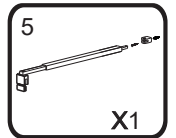
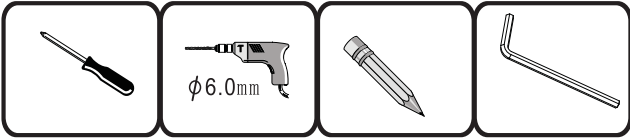


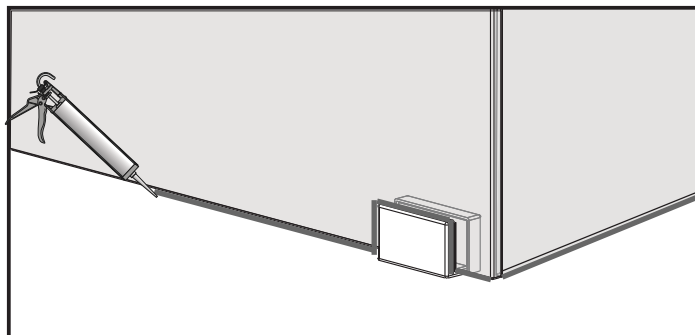
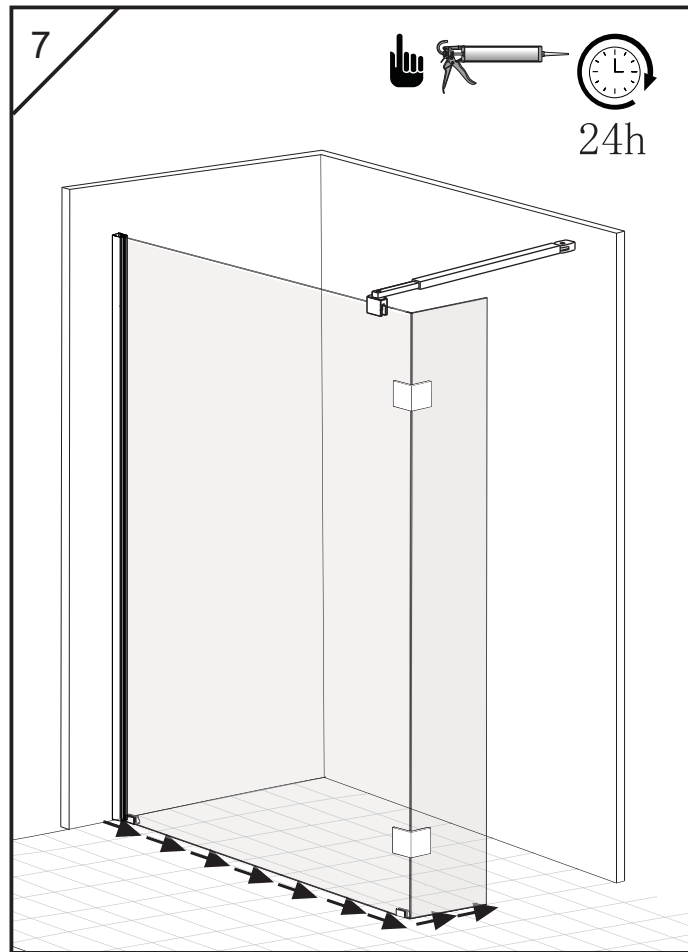
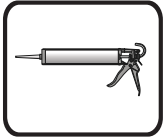


◆ Installation Steps









WE RECOMEND THE REMOVAL
OF THE PERIMETER GLASS
PROTECTION AFTER THE
ASSEMBLY IS COMPLETE
OR SAFE TO HANDLE.