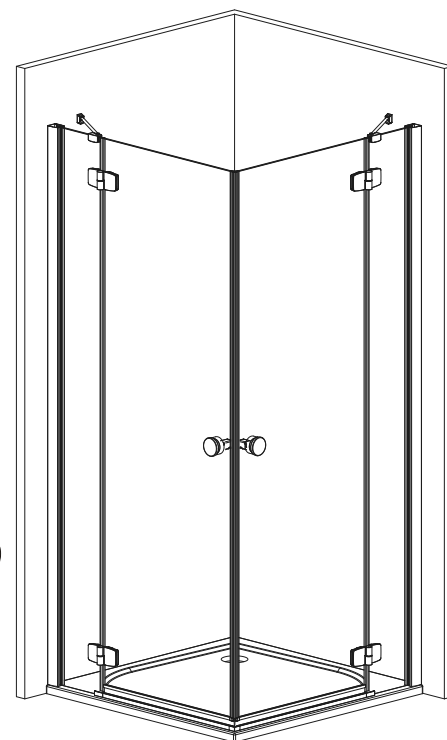
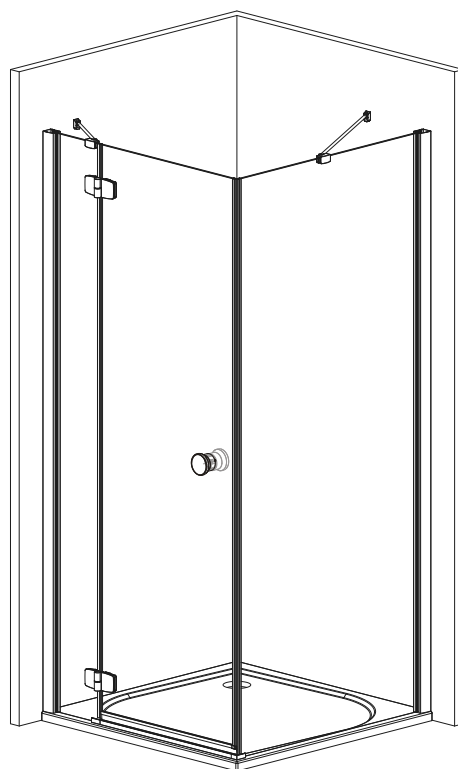


- D Montageanleitung
 E Mounting Instruction
 HR Uputi za upotrebu
 SLO Navodlilo za monta o kadi
 HU Útmutató a zuhanykabin beszereléséhez
 RO Instructiuni de montaj
 CZ Návod k montá I vany
 SK Návod na montáž
 TR Montaj Klavuzu
 BG Инструкции за монтаж



Symbol foto



Sanotechnik
 Handelsgesellschaft m.b.H.
 Industriestraße 5
 A-2752 Wöllersdorf
 Tel.: 0043/2622/421 93-0
 Fax. 0043/2622/421 93-6

Email: office@sanotechnik.at
www.sanotechnik.com



Sanotechnik RUMÄNIEN S.R.L
 ROMANIA
 Tancabesti, DN 1, KM 26,5
 Com. Snagov, jud. Ilfov
 Tel.: +40 21 350 13 43
 Fax: +40 21 350 13 44

office@sanotechnik.ro
www.sanotechnik.com



SANOTECHNIK d.o.o
 SLOVENIA
 Stritarjeva ulica 24
 SI-2000 Maribor
 Tel.: +386 2/421 33 50
 Fax: +386 2/421 33 58

info@sanotechnik.si
www.sanotechnik.com



SANOTECHNIK Hungária Kft.
 HUNGARY
 Nagytétényi út 112
 H-1222 Budapest
 Tel.: +36 1/424 06 70
 Fax: +36 1/424 06 79

info@sanotechnik.hu
www.sanotechnik.com



SANOTECHNIK Maurod s.r.o.
 SLOWAKIA+CZECHIA
 Sládkovičova 69
 SK-953 01 Zlaté Moravce
 Tel.: +421/376 426 245
 Fax: +421/376 426 246

maurod@maurod.sk
www.sanotechnik.com



**Sun Banyo
 TURKEY**

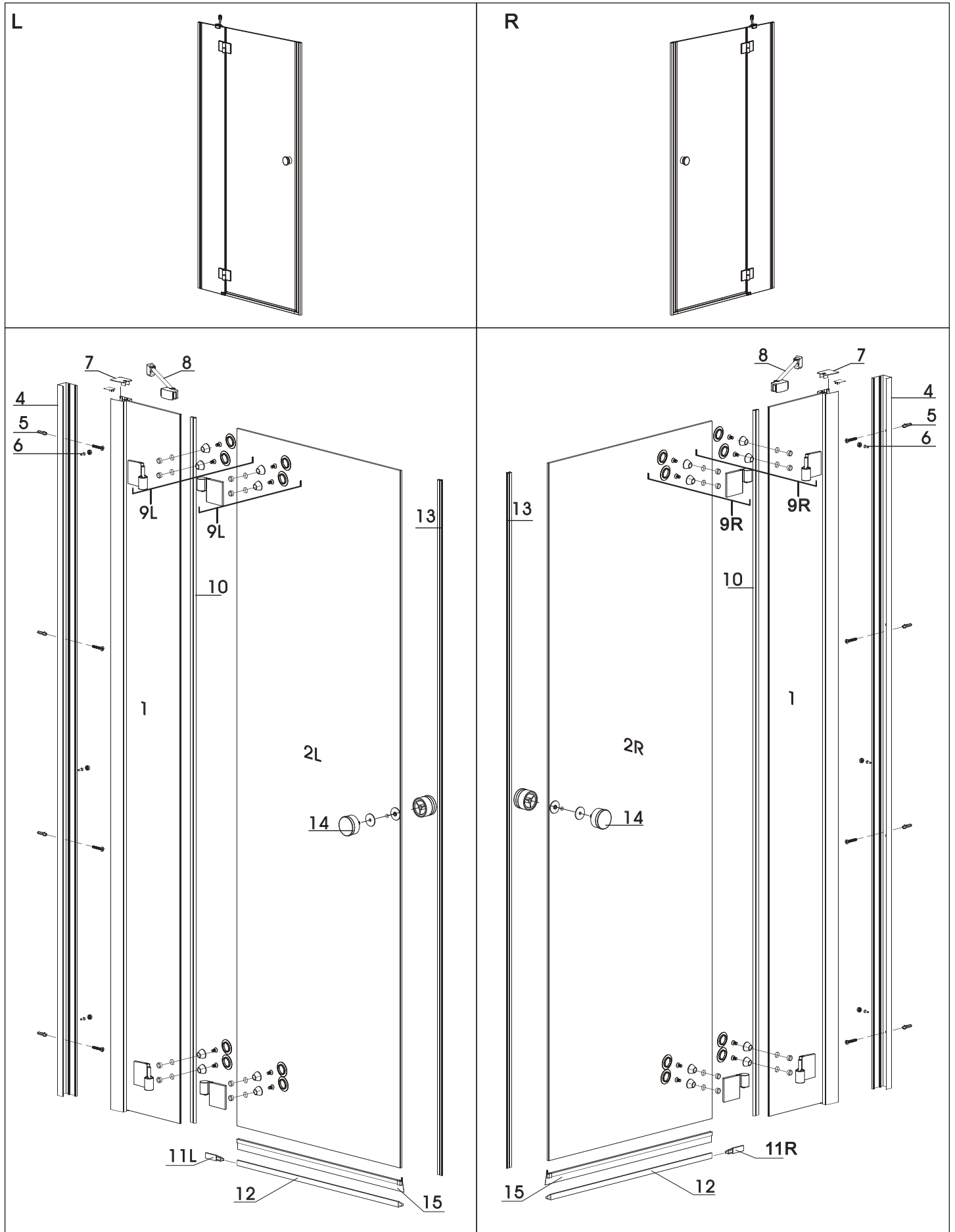
Bostanci Mag.Bagdat
 cd.yomca apt.No,504/5
 KADIKOY/ISTANBUL
 Tel:+90 216 384 6179
 Fax:+90 216 384 6180
umut@sanotechnik.com.tr



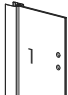
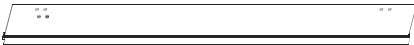
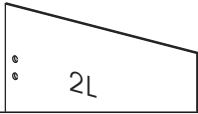

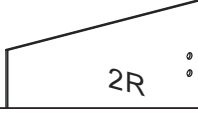
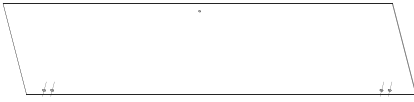
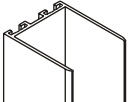

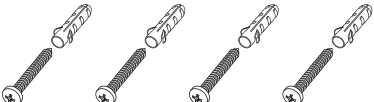

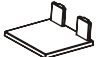
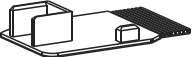
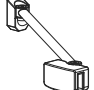
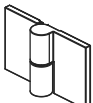
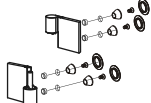
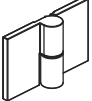
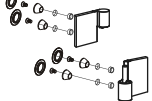
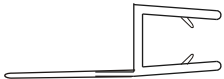
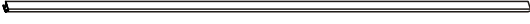
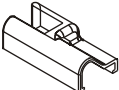
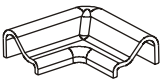
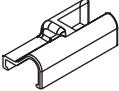
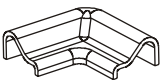
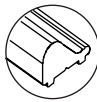
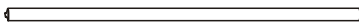




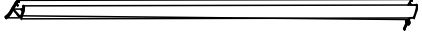
FORMATIC Ltd.
 BULGARIA
 3, Georgi Benev St.
 BG-4003 Plovdiv
 P.O. BOX 85
 Tel.: +359 32/9611 01
 Fax: +359 32/9611 02
Office@sanotechnik.bg

SANOTECHNIK®
 INTERNATIONAL

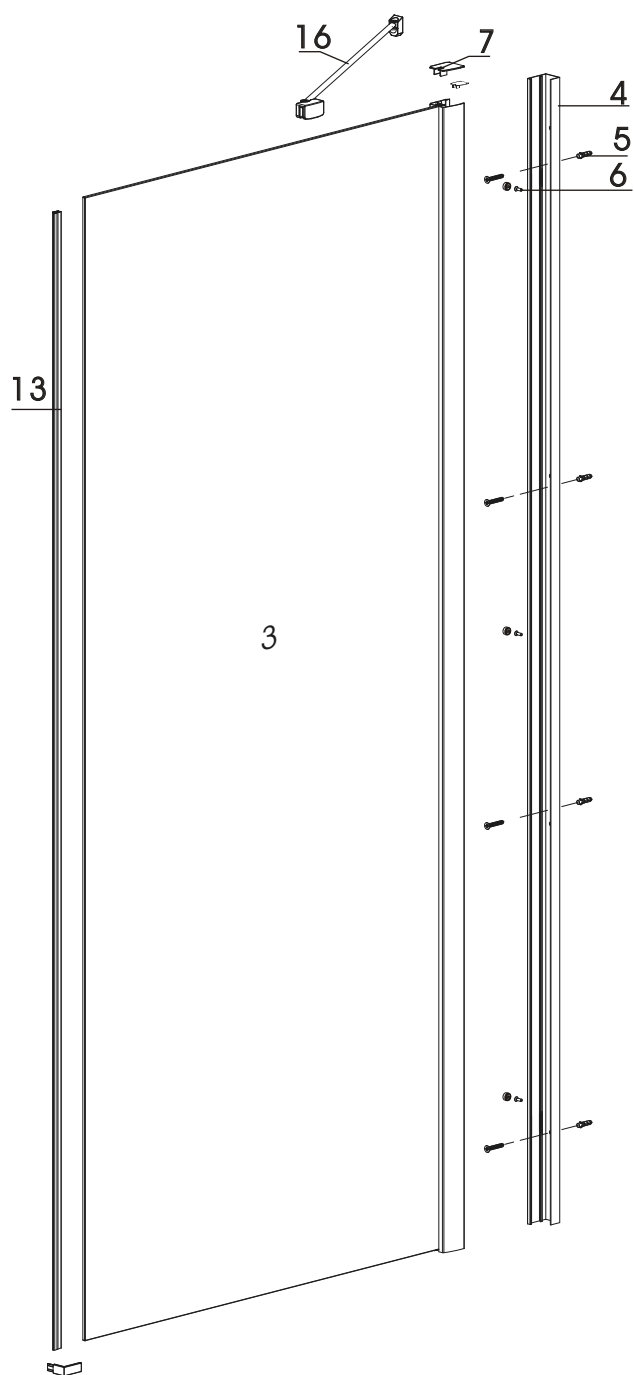
◆ Assembly Drawing



◆ Box Contents

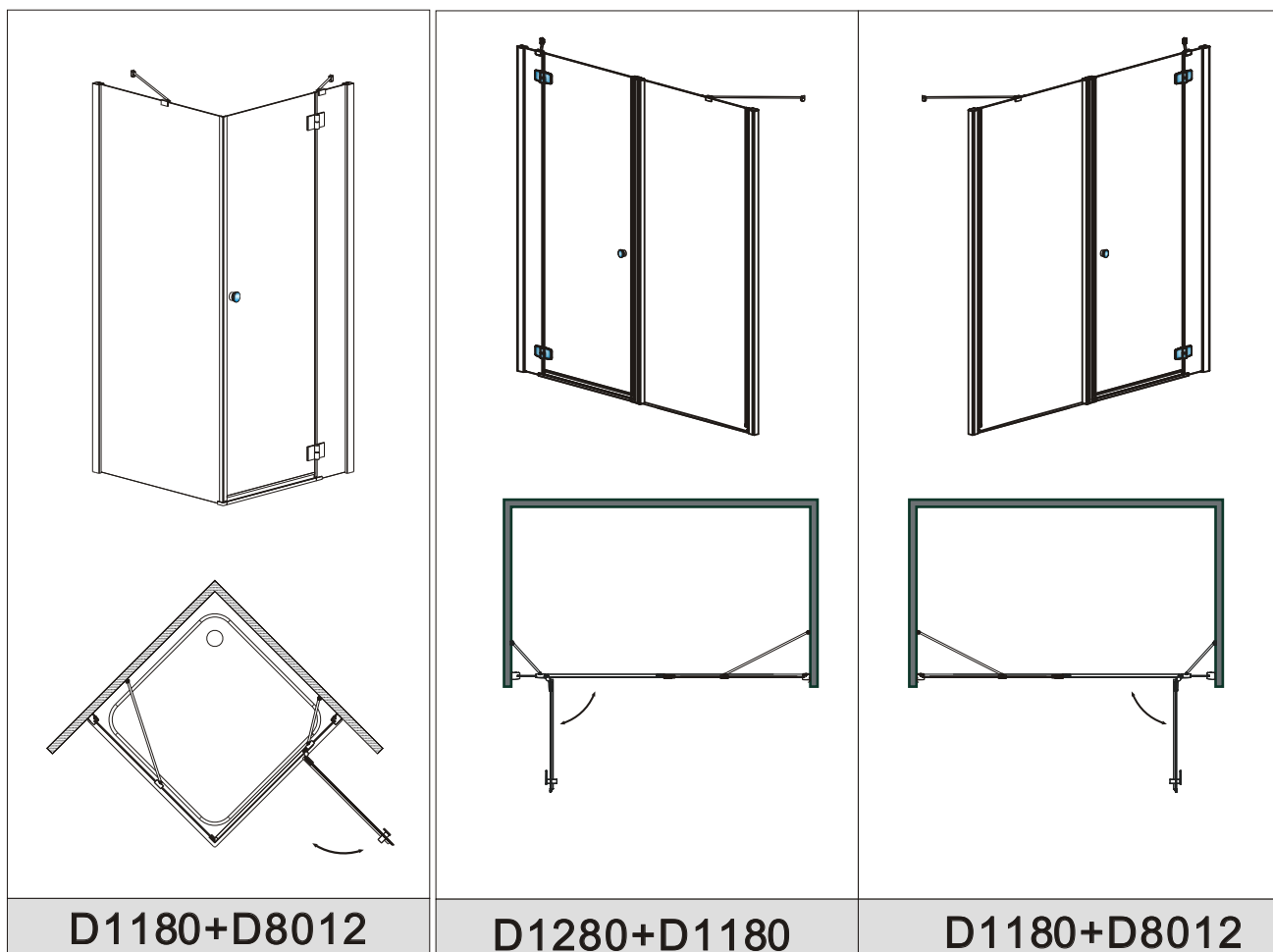
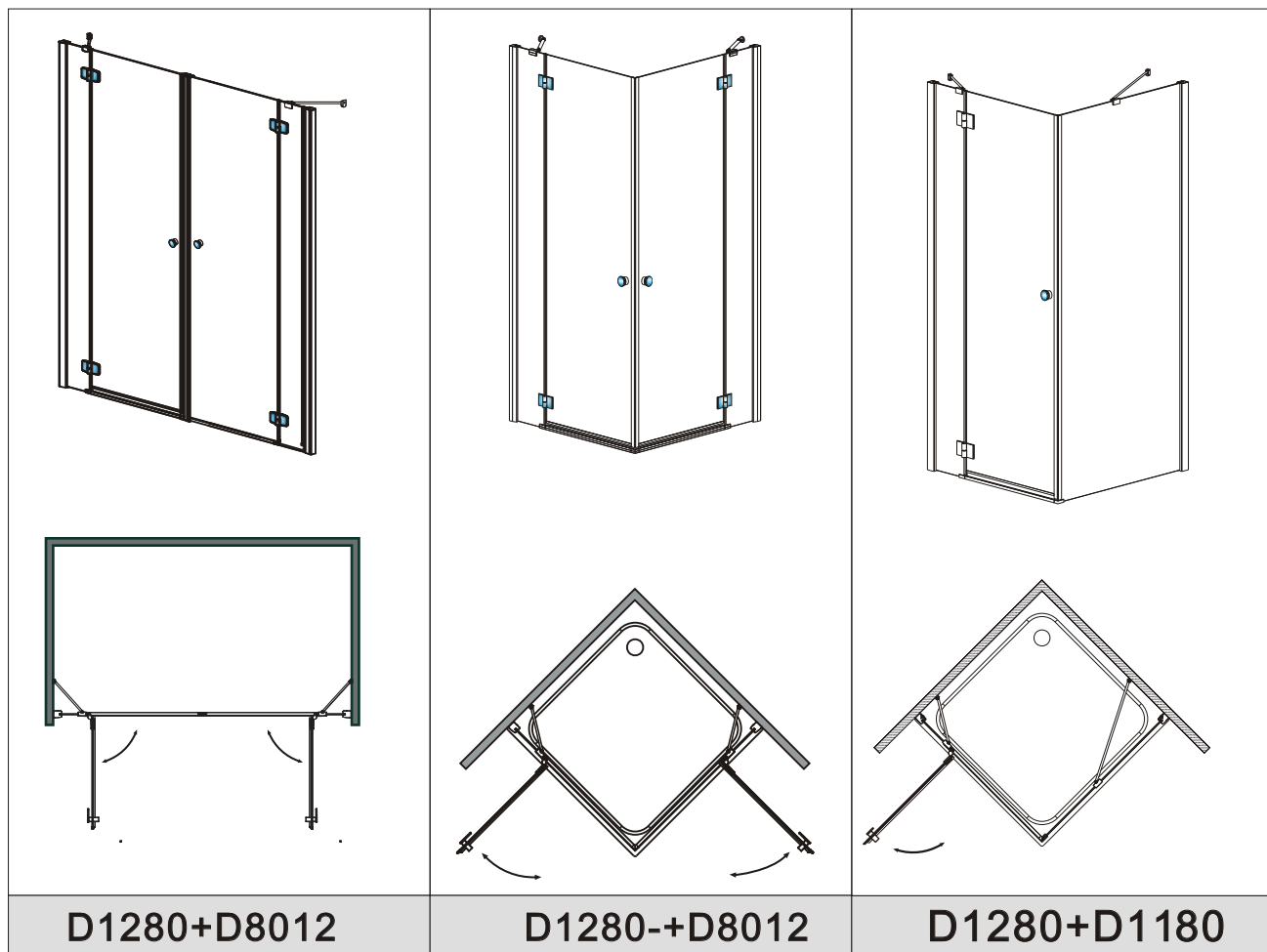
1			X1
2L			X1
2R			X1
4			X1
5			X4
6			X3
7			X1
8			X1
9L			X2
9R			X2
10			X1
11L			X1
11R			X1
12			X1
13			X1
14			X1
15			X1

◆ Assembly Drawing

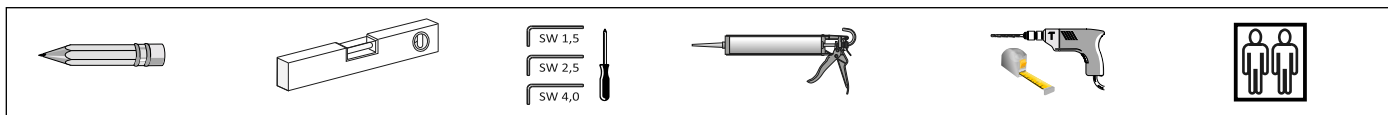


◆ Box Contents

3		X1
4		X1
5		X4
6		X3
7		X1
11		X1
13		X1
16		X1

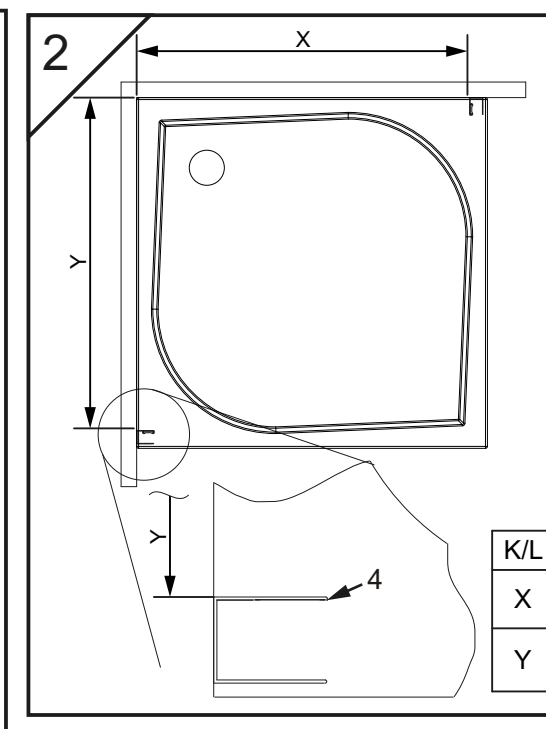
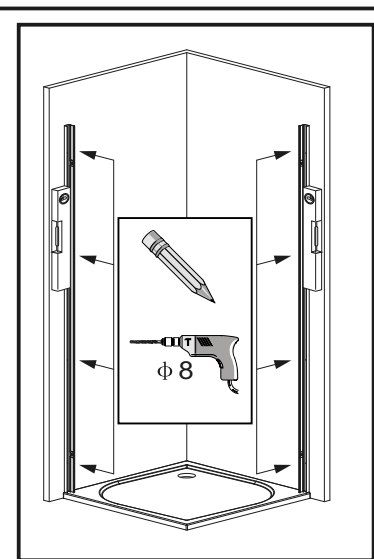
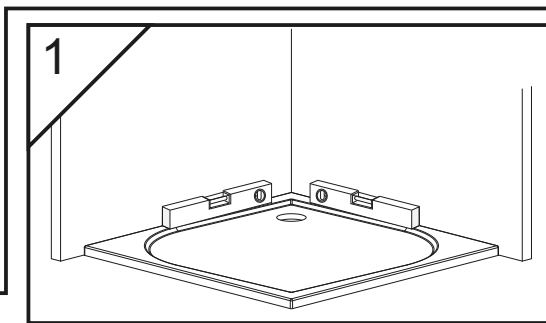


◆ Installation Steps



The main diagram illustrates the installation process in several stages:

- Panel Preparation:** A vertical sequence of drawings shows the shower panel being prepared. It starts with a pencil marking a hole, followed by drilling a hole with a power drill. The hole is then smoothed with a sandpaper-like material.
- Sealing:** A sealant is applied to the hole using a sealant gun.
- Drilling:** A hole is drilled into the panel with a diameter of $\phi 8$.
- Panel Placement:** The panel is placed on the shower pan. A spirit level is used to ensure it is perfectly horizontal.
- Fastening:** Screws (labeled 4 and 5) are used to secure the panel to the shower pan. The screws are inserted through the pre-drilled hole and the panel's mounting holes.
- Final Check:** A final view shows the panel fully installed and secured.



K/L	800/800	900/900	1000/1000
X	757*	857*	957*
Y	757*	857*	957*

